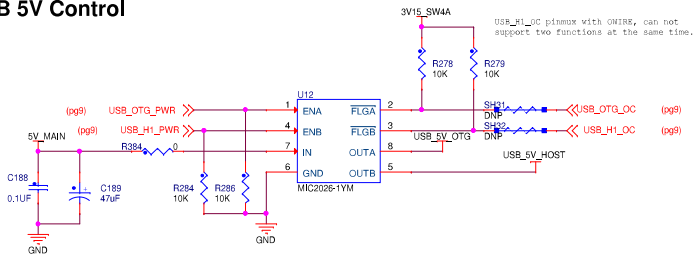
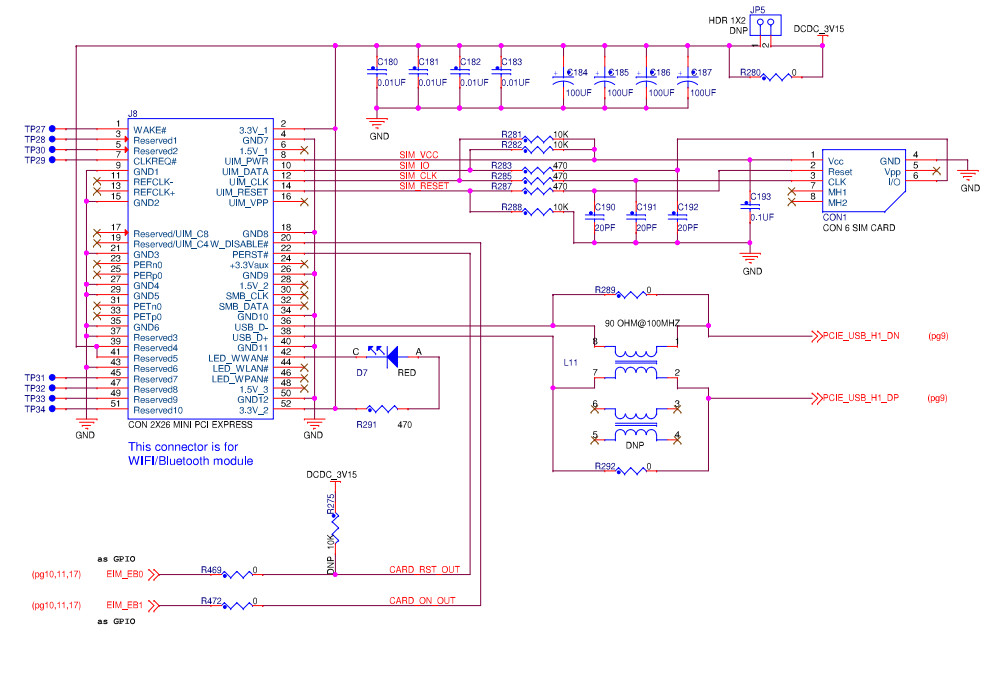


USB 5V Control



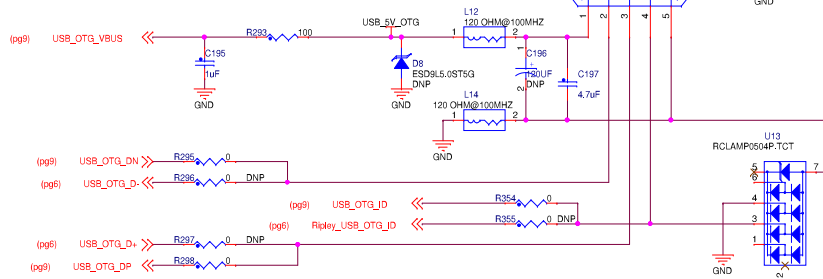
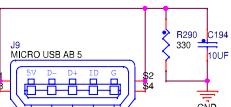
Mini PCIe (for 3G)



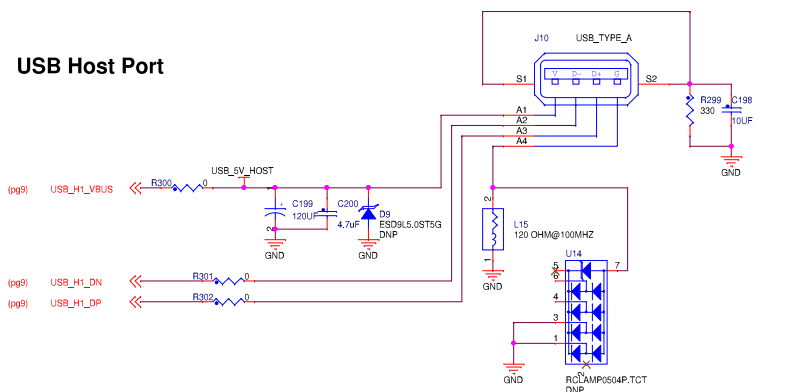
USB Boot / Device Port

This is a possible implementation with a 100 Ohm series resistor and 1 uF capacitance to protect the Vbus input of the MX50.

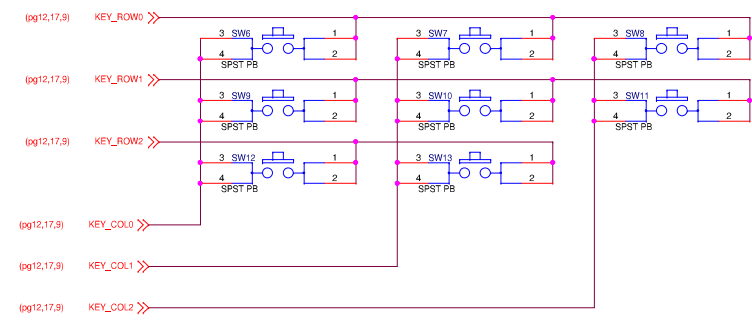
USB Boot/Debug Micro USB-AB Receptacle



USB Host Port



Optional Button Matrix



freescale
www.freescale.com

ICAP Classification: FCP: FIUC: X PUB: _____
Drawing Title: _____
i.MX50 Reference Design
Page Title: _____
USB Device Port & Mini PCIe Express

Size C	Document Number SCH-26721 PDF-SPF-26721	Rev D
Date: Wednesday, June 01, 2011	Sheet 13 of 17	